



**“ADCATROL” PNEUMATIC CONTROL VALVES
PPV25I – ON-OFF (Complete stainless steel)
(DN 1/2” – 1”)
(V25I globe valves series with linear piston actuators PP series)**

DESCRIPTION

The PPV25I on-off valves are single seated, two-way body constructed with in-line straight connections. The PPI pneumatic actuator is of the piston type. Their wide application ranges allows the use of this valve with the most common process fluids such as water, superheated water, steam, air, gas and other fluids.

MAIN FEATURES

Single seated, two ways, direct or reverse action valve.
Soft sealing as standard.
Actuator housing 360° rotation (clockwise).



- OPTIONS:** Air filter regulator
Normally open and double effect version.
Limit switch
Pilot solenoid valve
- USE:** Saturated and superheated steam.
Hot and superheated water.
Air, gases and other noncorrosive fluids.
- AVAILABLE MODELS:** PPV25I - Stainless steel
- VALVE SIZES:** DN 1/2" to 1"
- CONNECTIONS:** Threaded ISO or ANSI
- ACTUATORS:** PPI-63 (Stainless steel)
- ACTUATOR CONNECTIONS:** G1/8" NPT
- AIR SUPPLY:** 5 - 8 bar

- MAX. AIR SUPPLY PRESSURE:** 8 bar
- AMBIENT TEMPERATURE:** -20°C ...+70°C
- BONNET :** From -5°C to +220°C (standard)
- STEM SEALING:** PTFE/GR V-Rings - up to 220°C (Standard bonnet)
- PLUG DESIGN:** PT - On-off
- PORT:** Full port as standard

CE MARKING (PED - European Directive 97/23/EC)	
PN 25	Category
DN 1/2" to 1"	SEP - art. 3, paragraph3

VALVE BODY LIMITING CONDITIONS	
V25I - PN25 *	
ALLOWABLE PRESSURES	RELATED TEMP.
25 bar	-10 /50° C
21 bar	200 °C
19,8 bar	250 °C
18,5 bar	300 °C

Note: Maximum temperature limited to the valve packing selected.
Valves with soft seat , maximum allowable temperature : 200°C
* Rating according to EN 1092-1:2007

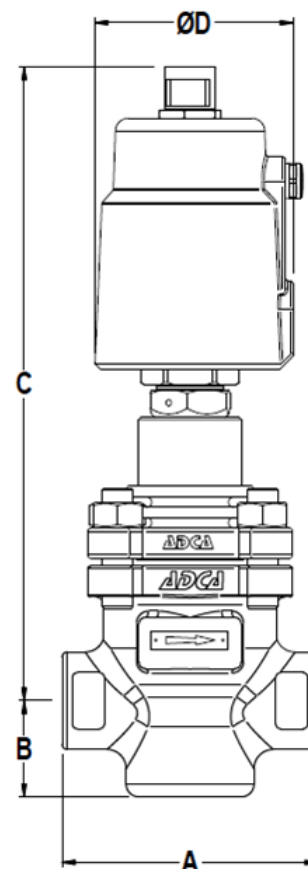
MAX. PERMISSIBLE PRESS.DROP IN bar - Normally closed valve (fluid to open) - Reverse action actuator (air signal to open)

ACTUATOR	SIZES		
	DN 1/2"	DN 3/4"	DN 1"
	Kvs 5,2	Kvs 7,3	Kvs 11,7
PPI-63	21	18	8
PPI-90	25	25	24

Kvs in m3/h , see data sheet IS PV10.00 E ;
For conversion $Kvs = Cv(US) \times 0,855$

DIMENSIONS (mm)

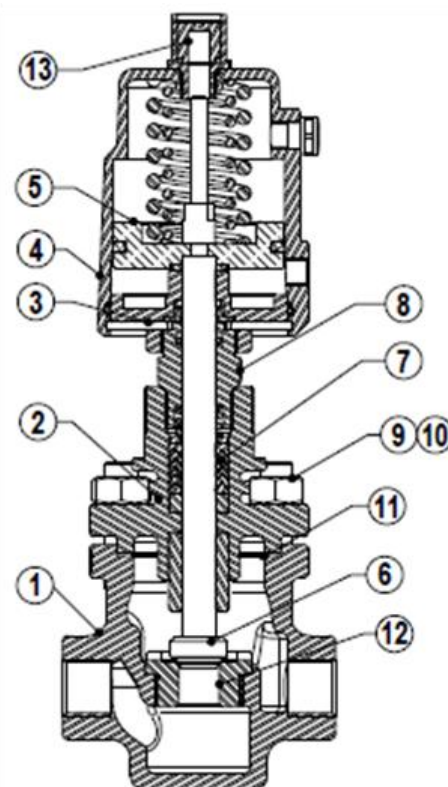
DN	A	B	C	Ø D	WEIGHT Kgs
1/2"	100	37,5	250	75	3,9
3/4"	100	37,5	250	75	3,9
1"	100	37,5	250	75	4,9



MATERIALS

POS.	DESIGNATION	MATERIAL PPV25I
1	Valve body	CF8M / 1.4408
2	Bonnet	CF8 / 1.4308
3	Actuator flange	CF8 / 1.4308
4	Actuator cover	CF8 / 1.4308
5	Piston	Aluminium
6	* Valve plug	1.4401 / PTFE-GR
7	* Packing	PTFE / GR
8	Gland nut	AISI 316 / 1.4401
9	Studs	A4 - 70
10	Nuts	A4 - 70
11	Gasket	St.Steel / Graphite
12	Seat	AISI 316 / 1.4401
13	Indication stem	Plastic

* Available spare parts





ORDERING CODES PPV25I

VALVE CODES		PPV	.25I				.X.		
Group Designation									
Pneumatic on-off valve		PPV							
Valve Model									
ASTM A216 WCB body, stainless steel trim			.25I						
Valve Plug									
PT (on-off) - Soft (PTFE/GR)				9					
PT (on-off) - Metal AISI316 / 1.4401				10					
Pipe Connection									
Threaded BSP ISO 7/1 Rp					A				
Threaded NPT ANSI B1.20.1					C				
Size									
DN 1/2"						15			
DN 3/4"						20			
DN 1"						25			
Fluid Direction									
Normally closed valve, fluid enter above the seat							A		
Normally closed valve, fluid enter below the seat							B		
Actuator								(1)	
Extras (3)									E

ACTUATOR CODES (pneumatic)		PI.			
Group Designation					
Piston linear actuator		PI.			
Actuator Size					
Piston pneumatic actuator PPI 63			.63		
Piston pneumatic actuator PPI 90			.90		
Actuator Type					
Direct action (air to close)				.D	
Reverse action (air to open)				.R	
Actuator Construction					
Stainless steel					(2)

→ To be introduced on ".X.", if supplied in combination with the valve.

- (1)- Indicate actuator type.
- (2)- Omitted if the standard actuator is selected.
- (3)- To be used only when a non-standard combination valve is supplied